

Network Video Recorder

NVR302-32S



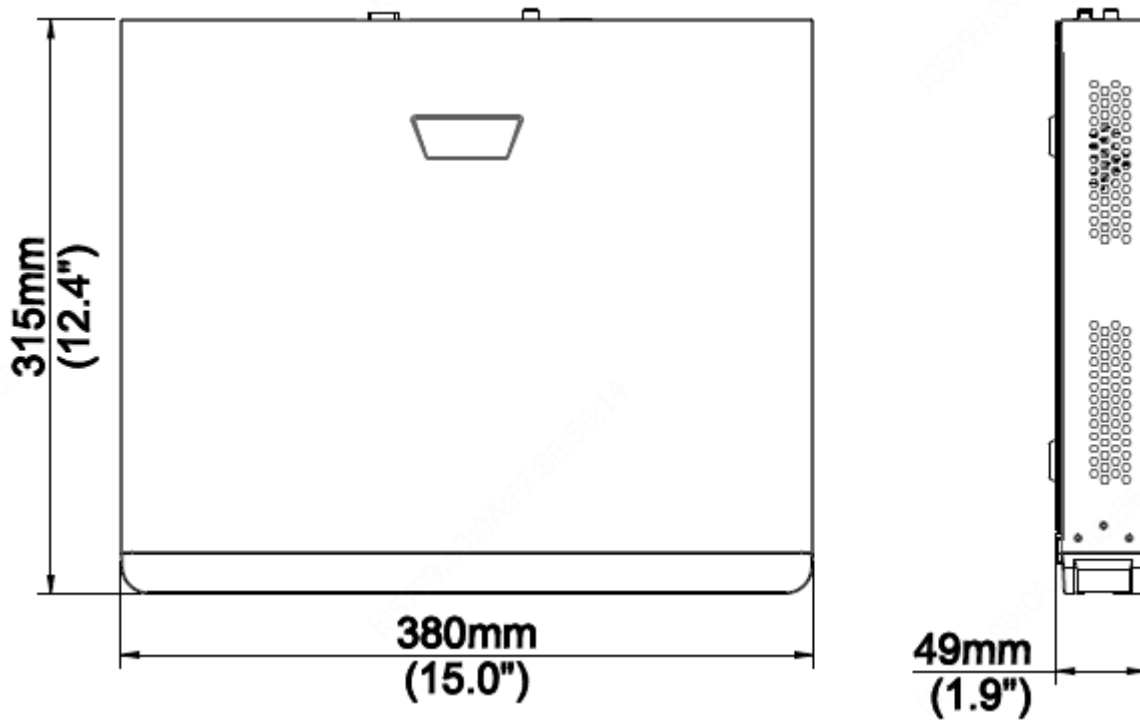
Key Features

- Support Ultra265/H.265/H.264 video formats
- 32-channel input
- Third-party IP cameras supported with ONVIF conformance: Profile S, Profile G, Profile T
- HDMI and VGA simultaneous output
- Up to 8 Megapixels resolution recording
- Accurate retrieval, instant playback
- 2 SATA HDDs, up to 10TB for each HDD
- ANR technology to enhance the storage reliability when the network is disconnected
- Support cloud upgrade

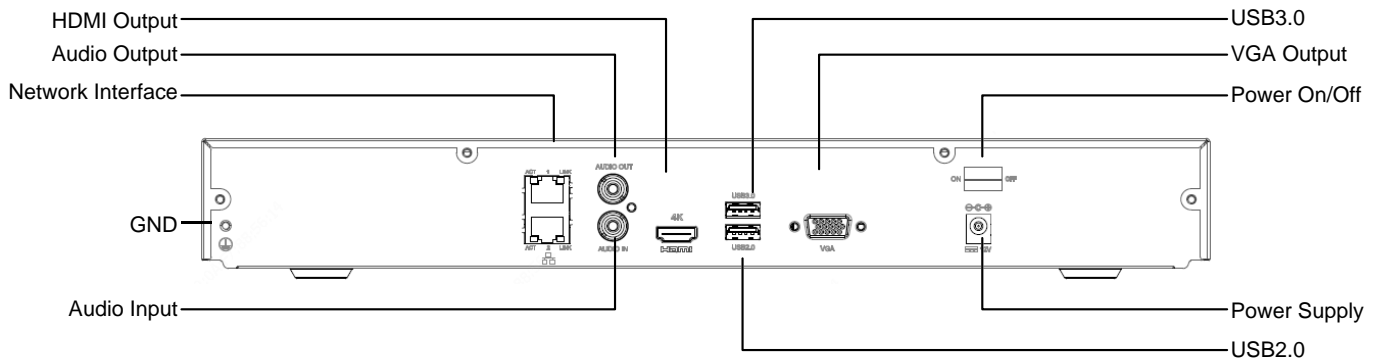
Specifications

Model	NVR302-32S
Video/Audio Input	
IP Video Input	32-ch
Two-way Audio Input	1-ch, RCA
Network	
Incoming bandwidth	160Mbps
Outgoing bandwidth	64Mbps
Remote Users	128
Protocols	P2P, UPnP, NTP, DHCP, PPPoE
Video/Audio Output	
HDMI/VGA Output	HDMI: 4K (3840x2160)@30, 1920x1080p@60, 1920x1080p@50, 1600x1200@60, 1280x1024@60, 1280x720@60, 1024x768@60 VGA: 1920x1080p@60, 1920x1080p@50, 1280x1024@60, 1280x720@60, 1024x768@60
Audio Output	1-ch, RCA
Recording Resolution	8MP/5MP/4MP/3MP/1080p/960p/720p/960H/D1/2CIF/CIF
Synchronous Playback	32-ch
Corridor Mode Screen	3/4/5/7/9/10/12/16/32
Decoding	
Decoding format	Ultra265/H.265/H.264
Live view/ Playback	8MP/5MP/4MP/3MP/1080p/960p/960H/720p/D1/2CIF/CIF
Capability	2 x 4K@30, 3 x 5MP@30, 4 x 4MP@30, 5 x 3MP@30, 8 x 1080p@30, 16 x 720p@30,32 x D1
Hard Disk	
SATA	2 SATA interfaces
Capacity	up to 10TB for each disk
Smart	
VCA Detection	Face detection, Intrusion detection, Cross line detection, Audio detection, Defocus detection, Scene change detection, Auto tracking
VCA Search	Face search, Behavior search
Statistical Analysis	People counting
External Interface	
Network Interface	2 RJ-45 10M/100M/1000M self-adaptive Ethernet Interfaces
USB Interface	Rear panel: 1 x USB2.0, 1 x USB3.0 Front panel: 1 x USB2.0
General	
Power Supply	12V DC Power Consumption: ≤ 15W(without HDD)
Working Environment	-10°C ~ + 55°C (+14°F ~ +131°F), Humidity ≤ 90% RH(non-condensing)
Dimensions(W×D×H)	380mm × 315mm ×49mm (15.0" × 12.4" ×1.9")
Weight (without HDD)	≤ 2.48 Kg (5.47 lb)

Dimensions



Rear Panel



Zhejiang Uniview Technologies Co., Ltd.

Building No.10, Wanlun Science Park, Jiangling Road 88, Binjiang District, Hangzhou, Zhejiang, China

Email: overseasbusiness@uniview.com; globalsupport@uniview.com

<http://www.uniview.com>

©2019 Zhejiang Uniview Technologies Co.,Ltd. All rights reserved.

*Product specifications and availability are subject to change without notice.